

**SSN4 SERIES ENCLOSURES
NEMA 4X SINGLE DOOR WALL-MOUNT**



SSN4161206

Industry Standards

UL 50, Types 4, 4X, 12, & 13
CSA Certified, Types 4 & 12
NEMA/EEMAC Type 4, 4X, 12, & 13
JIC EL-1-71

 UL Files E6924

 CSA File LL66078

FEATURES-SPECIFICATIONS

Applications

Provides unmatched protection for housing electrical components in highly corrosive environments. This enclosure is used in indoor and outdoor settings that are frequently wet or have constant exposure to water, other liquids, or contaminants.

A wide variety of type 316 stainless steel enclosures are available specifically for applications in food processing plants and offshore oil exploration.

Construction

- Bodies and doors fabricated from 14 gauge type 304 or 316 stainless steel. 316 stainless steel has the best corrosion resistance of the standard types of stainless steel available

- Continuously plasma welded seams
- Door and body stiffeners are included in larger enclosures for added rigidity
- A rolled lip around three sides of door and all sides of enclosure opening provided to exclude liquids and contaminants
- Quick and easy to operate stainless steel door clamps are provided
- Doors are sealed with poured-in-place polyurethane gasket
- Hasp and staple is provided for padlocking
- Doors are sealed with poured-in-place polyurethane gasket
- Collar studs for mounting optional back panels

- Print pocket is provided
- External mounting feet are provided for mounting enclosures
- Grounding provisions provided

Finish

- All exterior surfaces of enclosures have a smooth grained finish
- Optional** back panels are white polyester powder over phosphatized surfaces

Accessories

- Back panels (reference tables)
- See pages J1-J19

SSN4 SERIES SINGLE DOOR STAINLESS ENCLOSURES								
CATALOG NUMBER		ENCLOSURE SIZE H X W X D	BACK PANEL CATALOG NUMBER*		BACK PANEL SIZE A X B	STIFFENER		E
304 S.S.	316 S.S.		WHITE	304 S.S.		DOOR	BODY	
SSN4161206	SSN4161206A	16.00x12.00x6.00 (406x305x152)	NP1612	NP1612SSA ◀	13.00x9.00 (330x229)	No	No	0
SSN4161606	SSN4161606A ◀	16.00x16.00x6.00 (406x406x152)	NP1616	NP1616SSA ◀	13.00x13.00 (330x330)	No	No	0
SSN4162006 ◀	SSN4162006A ◀	16.00x20.00x6.00 (406x508x152)	NP2016	NP2016SSA ◀	13.00x17.00 (330x432)	No	No	0
SSN4201606	SSN4201606A ◀	20.00x16.00x6.00 (508x406x152)	NP2016	NP2016SSA ◀	17.00x13.00 (432x330)	No	No	0
SSN4202006	SSN4202006A ◀	20.00x20.00x6.00 (508x508x152)	NP2020	NP2020SSA ◀	17.00x17.00 (432x432)	No	No	0
SSN4242006	SSN4242006A ◀	24.00x20.00x6.00 (610x508x152)	NP2420	NP2420SSA ◀	21.00x17.00 (533x432)	No	No	4.313 (110)
—	SSN4242406A ◀	24.00x24.00x6.00 (610x610x152)	NP2424	NP2424SSA ◀	21.00x21.00 (533x533)	No	No	4.313 (110)
SSN4161208	SSN4161208A ◀	16.00x12.00x8.00 (406x305x203)	NP1612	NP1612SSA ◀	13.00x9.00 (330x229)	No	No	0
SSN4201608	SSN4201608A	20.00x16.00x8.00 (508x406x203)	NP2016	NP2016SSA ◀	17.00x13.00 (432x330)	No	No	0
—	SSN4202008A ◀	20.00x20.00x8.00 (508x508x203)	NP2020	NP2020SSA ◀	17.00x17.00 (432x432)	No	No	0
SSN4202408 ◀	SSN4202408A ◀	20.00x24.00x8.00 (508x610x203)	NP2420	NP2420SSA ◀	17.00x21.00 (432x533)	No	No	0
SSN4241608	SSN4241608A ◀	24.00x16.00x8.00 (610x406x203)	NP2416	NP2416SSA ◀	21.00x13.00 (533x330)	No	No	4.313 (110)
SSN4242008	SSN4242008A	24.00x20.00x8.00 (610x508x203)	NP2420	NP2420SSA ◀	21.00x17.00 (533x432)	No	No	4.313 (110)
SSN4242408	SSN4242408A ◀	24.00x24.00x8.00 (610x610x203)	NP2424	NP2424SSA ◀	21.00x21.00 (533x533)	No	No	4.313 (110)
SSN4243008	SSN4243008A ◀	24.00x30.00x8.00 (610x762x203)	NP3024	NP3024SSA ◀	21.00x27.00 (533x686)	No	No	4.313 (110)
SSN4302008	SSN4302008A ◀	30.00x20.00x8.00 (762x508x203)	NP3020	NP3020SSA ◀	27.00x17.00 (686x432)	No	No	5.813 (148)

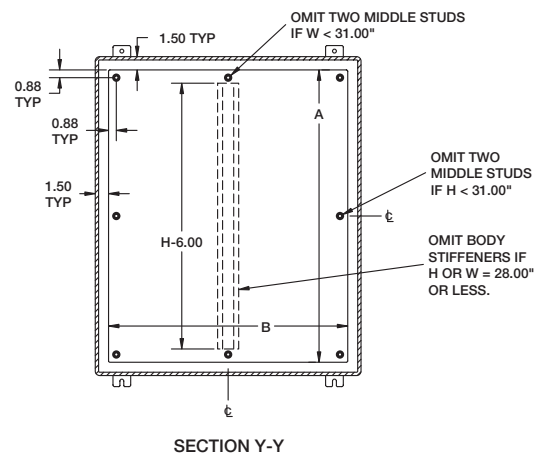
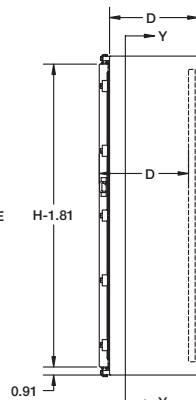
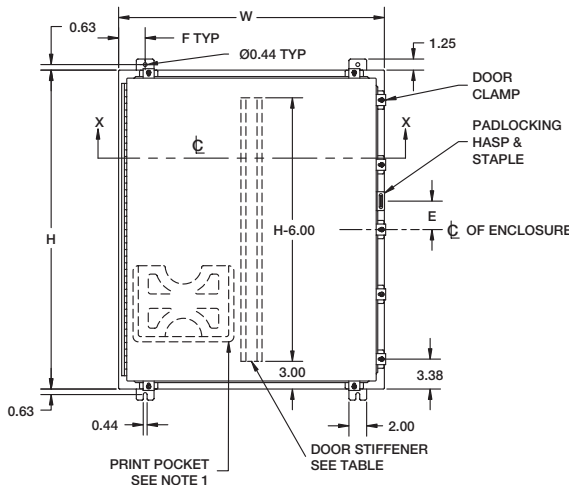
Continued on page E21

SSN4 SERIES SINGLE DOOR STAINLESS ENCLOSURES (CONT.)								
CATALOG NUMBER		ENCLOSURE SIZE H X W X D	BACK PANEL CATALOG NUMBER*		BACK PANE SIZE A X B	STIFFENER		E
304 S.S.	316 S.S.		WHITE	304 S.S.		DOOR	BODY	
SSN4302408	SSN4302408A	30.00x24.00x8.00 (762x610x203)	NP3024	NP3024SSA	27.00x21.00 (686x533)	No	No	5.813 (148)
SSN4303008	SSN4303008A	30.00x30.00x8.00 (762x762x203)	NP3030	NP3030SSA	27.00x27.00 (686x686)	No	Yes	5.813 (148)
SSN4362408	SSN4362408A	36.00x24.00x8.00 (914x610x203)	NP3624	NP3624SSA	33.00x21.00 (838x533)	No	No	7.313 (186)
SSN4363008	SSN4363008A	36.00x30.00x8.00 (914x762x203)	NP3630	NP3630SSA	33.00x27.00 (838x686)	No	Yes	7.313 (186)
SSN4423608	SSN4423608A	42.00x36.00x8.00 (1067x914x203)	NP4236	NP4236SSA	39.00x33.00 (991x838)	Yes	Yes	0
SSN4483608	SSN4483608A	48.00x36.00x8.00 (1219x914x203)	NP4836	NP4836SSA	45.00x33.00 (1143x838)	Yes	Yes	0
SSN4201610	SSN4201610A	20.00x16.00x10.00 (508x406x254)	NP2016	NP2016SSA	17.00x13.00 (432x330)	No	No	0
SSN4242010	SSN4242010A	24.00x20.00x10.00 (610x508x254)	NP2420	NP2420SSA	21.00x17.00 (533x432)	No	No	4.313 (110)
SSN4302410	SSN4302410A	30.00x24.00x10.00 (762x610x254)	NP3024	NP3024SSA	27.00x21.00 (686x533)	No	No	5.813 (148)
SSN4362410	SSN4362410A	36.00x24.00x10.00 (914x610x254)	NP3624	NP3624SSA	33.00x21.00 (838x533)	No	No	7.313 (186)
SSN4363010	SSN4363010A	36.00x30.00x10.00 (914x762x254)	NP3630	NP3630SSA	33.00x27.00 (838x686)	No	Yes	7.313 (186)
SSN4423010	SSN4423010A	42.00x30.00x10.00 (1067x762x254)	NP4230	NP4230SSA	39.00x27.00 (991x686)	Yes	Yes	0
SSN4483610	SSN4483610A	48.00x36.00x10.00 (1219x914x254)	NP4836	NP4836SSA	45.00x33.00 (1143x838)	Yes	Yes	0
SSN4242412	SSN4242412A	24.00x24.00x12.00 (610x610x305)	NP2424	NP2424SSA	21.00x21.00 (533x533)	No	No	4.313 (110)
SSN4302412	SSN4302412A	30.00x24.00x12.00 (762x610x305)	NP3024	NP3024SSA	27.00x21.00 (686x533)	No	No	5.813 (148)
SSN4363012	SSN4363012A	36.00x30.00x12.00 (914x762x305)	NP3630	NP3630SSA	33.00x27.00 (838x686)	No	Yes	7.313 (186)
SSN4363612	SSN4363612A	36.00x36.00x12.00 (914x914x305)	NP3636	NP3636SSA	33.00x33.00 (838x838)	Yes	Yes	7.313 (186)
SSN4483612	SSN4483612A	48.00x36.00x12.00 (1219x914x305)	NP4836	NP4836SSA	45.00x33.00 (1143x838)	Yes	Yes	0
SSN4603612**	SSN4603612A	60.00x36.00x12.00 (1524x914x305)	NP6036	NP6036SSA	57.00x33.00 (1448x838)	Yes	Yes	6.656 (169)
SSN4302416	SSN4302416A	30.00x24.00x16.00 (762x610x406)	NP3024	NP3024SSA	27.00x21.00 (686x533)	No	No	5.813 (148)
SSN4363016	SSN4363016A	36.00x30.00x16.00 (914x762x406)	NP3630	NP3630SSA	33.00x27.00 (838x686)	No	Yes	7.313 (186)
SSN4483616	SSN4483616A	48.00x36.00x16.00 (1219x914x406)	NP4836	NP4836SSA	45.00x33.00 (1143x838)	Yes	Yes	0
SSN4603616**	SSN4603616A	60.00x36.00x16.00 (1524x914x406)	NP6036	NP6036SSA	57.00x33.00 (1448x838)	Yes	Yes	6.656 (169)

◀ NEW PRODUCT IN 2003

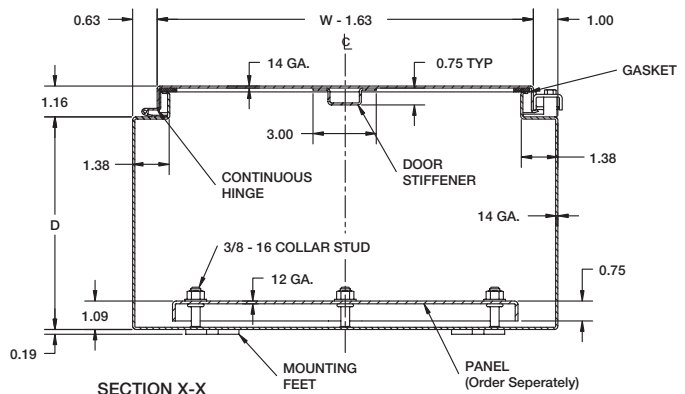
*Back panels must be ordered separately

**Enclosures are supplied with closed cell neoprene gasket (not foam-in-place).



NOTES:

1. Large print pocket (8X10) is furnished if H = 20.00" or more and W = 20.00" or more. Otherwise small (6X6) print pocket is provided.
2. Panels are made from 12 Ga. steel.
3. Panels have flanges along all sides when either dimension exceeds 17".
4. The number of door clamps is dependent on size of enclosure. Clamps are furnished along three sides of door.
5. F = 3" when W is 16" or greater and 1-1/4" when W is 12" or less.



**NP SERIES BACK PANELS
ACCESSORY PANELS FOR NEMA 1, 3R, 12, 4 & 4X WALL-MOUNTS**

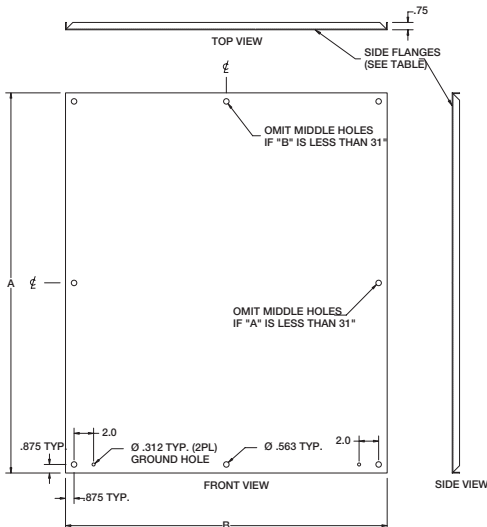


NP1212

FEATURES-SPECIFICATIONS

Description

- Steel and stainless panels are 12 gauge
- Aluminum panels are 5052-H32 aluminum alloy, .080-inch thick
- Panel with any side over 17.00" has 3/4" flange on all sides
- Steel panels are painted white polyester powder
- Panels fit the following enclosures:
 - NEMA 1, Large (NIC)
 - NEMA 3R, Hinge Cover (RHC, Large)
 - NEMA 4, 412, & 4X Single Door (N12, N4, N412, SSN4)
 - NEMA 12 2-Door Wall-Mount, (WAWF), Single Door Right Flange Disconnect (SDN12, ABN12) Large JIC (B-CH, Large) Single door N12



BACK PANELS FOR NEMA 1, 3R, 12, 4 & 4X WALL-MOUNT ENCLOSURES			
PAINTED STEEL (WHITE)	CATALOG NUMBER		PANEL SIZE A X B
	316 STAINLESS STEEL	ALUMINUM	
NP1212	—	—	9.00X9.00 (229X229)
NP1224	—	—	9.00X21.00 (229X533)
NP1612	NP1612SSA	ALNP1612	13.00X9.00 (330X229)
NP1616	NP1616SSA	ALNP1616	13.00X13.00 (330X330)
NP1620	—	—	17.00X13.00 (432X330)
NP2012	—	—	17.00X9.00 (432X229)
NP2016	NP2016SSA	ALNP2016	17.00X13.00 (432X330)
NP2024	—	—	21.00X17.00 (533X432)
NP2020	NP2020SSA	ALNP2020	17.00X17.00 (432X432)
NP2412	—	—	21.00X9.00 (533X229)
NP2416	NP2416SSA	—	21.00X13.00 (533X330)
NP2420	NP2420SSA	ALNP2420	21.00X17.00 (533X432)
NP2424	NP2424SSA	ALNP2424	21.00X21.00 (533X533)
NP2430	—	—	27.00X21.00 (686X533)
NP3016	—	—	27.00X13.00 (686X330)
NP3020	NP3020SSA	—	27.00X17.00 (686X432)
NP3024	NP3024SSA	ALNP3024	27.00X21.00 (686X533)
NP3030	NP3030SSA	—	27.00X27.00 (686X686)
NP3036	—	—	33.00X27.00 (838X686)
NP3042	—	—	39.00X27.00 (991X686)
NP3624	NP3624SSA	ALNP3624	33.00X21.00 (838X533)
NP3630	NP3630SSA	ALNP3630	33.00X27.00 (838X686)
NP3636	NP3636SSA	—	33.00X33.00 (838X838)
NP3642	—	—	39.00X33.00 (991X838)
NP4024	—	—	37.00X21.00 (940X533)
NP4224	—	—	39.00X21.00 (991X533)
NP4230	NP4230SSA	—	39.00X27.00 (991X686)
NP4236	NP4236SSA	—	39.00X33.00 (991X838)
NP4824	—	—	45.00X21.00 (1143X533)
NP4830	—	—	45.00X27.00 (1143X686)
NP4836	NP4836SSA	ALNP4836	45.00X33.00 (1143X838)
NP6030	—	—	57.00X27.00 (1448X686)
NP6036	NP6036SSA	ALNP6036	57.00X33.00 (1448X838)
NP7230	—	—	69.00X27.00 (1753X686)
NP7236	—	—	69.00X33.00 (1753X838)